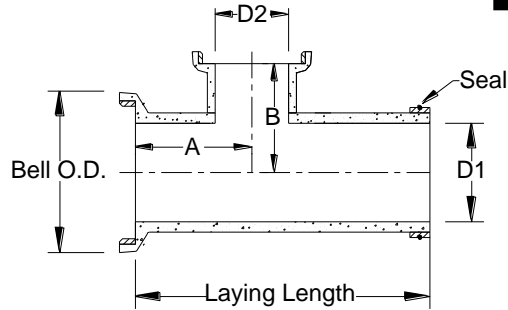
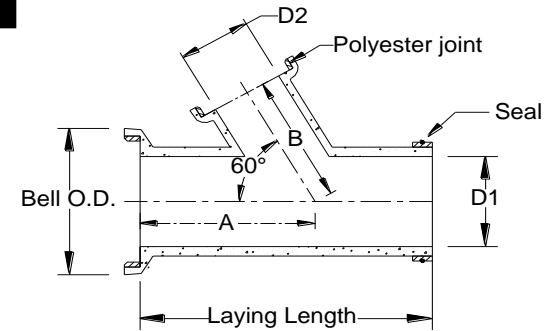




CanOlok™ Vitrified Clay Tee and Wye Fitting Dimensions



Fittings available to 48" diameter.
Standard fittings shown.
Dimensions are approximate.



Nominal Pipe Diameter D1, inches	Laying Length, feet	Nominal Spur Diameter D2, inches	Wye's		Tee's		Nominal Pipe Diameter D1, inches	Laying Length, feet	Nominal Spur Diameter D2, inches	Wye's		Tee's	
			A inches	B inches	A inches	B inches				A inches	B inches	A inches	B inches
4	2	4	8	6 3/4	5	4 1/4	18	3	12	21	18 3/4	10 1/2	13 1/4
6	2	4	9 1/2	8 1/2	5 1/4	5 1/2	18	3	15	21	18 3/4	12 1/2	13 1/4
6	2	6	9 1/2	9 3/4	6 1/4	5 1/2	18	3	18	21	18 3/4	13 3/4	13 1/2
8	2	4	9 1/2	10	5 1/2	6 1/2	21	3	6	17 1/4	18 1/4	7 1/2	14 1/4
8	2	6	11 1/4	10 3/4	6 1/2	6 1/4	21	3	8	18 3/4	19 1/2	8 3/4	14 3/4
8	2	8	12 1/4	11	7 3/4	7	21	3	12	22 3/4	20 3/4	11	15
10	2	4	11	11 3/4	6	7	21	3	15	23 1/4	22	12 3/4	15 1/2
10	2	6	13	11 3/4	6 3/4	7 3/4	21	3	18	23 1/4	22	11 1/4	15 3/4
10	2	8	14	12	7 3/4	8 1/4	24	3	6	18 1/4	20 1/4	13	16
10	2	10	15	13	9	8 1/2	24	3	8	20 1/4	21 1/2	14 1/2	16 1/2
12	2	4	11 1/4	12 1/4	6 1/4	8 3/4	24	3	12	23 1/4	22 3/4	8 1/4	16 3/4
12	2	6	12 1/4	13 3/4	6 3/4	9	24	3	15	23 3/4	24	9 1/4	17 1/4
12	2	8	14 1/4	13 1/2	8	9 1/2	24	3	18	23 3/4	24	11 1/2	17 1/4
12	2	10	15 1/4	14 1/4	9 1/4	9 3/4	27	3	6	21 1/2	22 1/2	15	17 3/4
12	2	12	17 1/4	15	10 1/2	10	27	3	8	23 1/2	23 1/4	8 1/2	18 1/4
15	3	4	12 1/4	14 3/4	6 1/2	10 1/2	27	3	12	25 1/2	24 1/2	9 1/2	18 1/2
15	3	6	14 1/4	14 3/4	7	10 3/4	27	3	18	25 1/2	24 1/2	12	18 3/4
15	3	8	16 1/4	15	8 1/4	11 1/4	30	3	6	22 1/2	24	8 1/2	19 1/2
15	3	10	18 1/4	15 3/4	9 1/2	11 1/4	30	3	8	23 1/2	25 1/4	9 1/2	20
15	3	12	19 1/4	16 1/2	10 1/2	11 1/2	30	3	12	25 1/2	26 1/2	12	20 1/4
15	3	15	19 1/4	16 1/4	12 1/4	11 3/4	30	3	18	27 1/2	27 3/4	15 1/2	21
18	3	4	12 1/4	14 3/4	6 1/2	10 1/2	36	3	6	25	28 3/4	9 1/4	22 1/4
18	3	6	16	16 1/2	7 1/4	12 1/2	36	3	8	26	29 1/2	10 1/2	23 1/4
18	3	8	18	17 1/4	8 1/4	13	36	3	12	27	30 1/2	12 1/2	23 1/2
18	3	10	18 1/4	17 3/4	8 1/4	13	36	3	18	30 1/4	33 1/2	16	24 1/2



**CanOlok™ Vitrified Clay
Tee and Wye Fitting Dimensions**

Fittings available to 48" diameter.
Standard fittings shown.
Dimensions are approximate.

Nominal Size	CanOlok Standard Fitting Dimensions (dimensions in inches, approximate)			
	Inside Diameter, I.D.	Barrel Outside Diameter	Bell Outside Diameter	Wall Thickness
4" (100mm)	3.9	5.2	8.0	0.6
6" (150 mm)	5.9	7.4	10.1	0.7
8" (200 mm)	7.8	9.8	13.1	1.0
10" (250 mm)	10.0	12.0	15.3	1.0
12" (300 mm)	12.0	14.2	17.4	1.1
15" (375 mm)	15.0	18.0	22.3	1.5
18" (450 mm)	18.0	21.8	26.8	2.2
21" (525 mm)	20.8	25.8	31.5	2.5
24" (600 mm)	24.3	29.4	35.4	2.5
27" (700 mm)	27.0	33.1	38.3	3.1
30" (750 mm)	29.5	36.0	42.0	3.2
36" (900 mm)	36.0	42.5	50.8	3.7